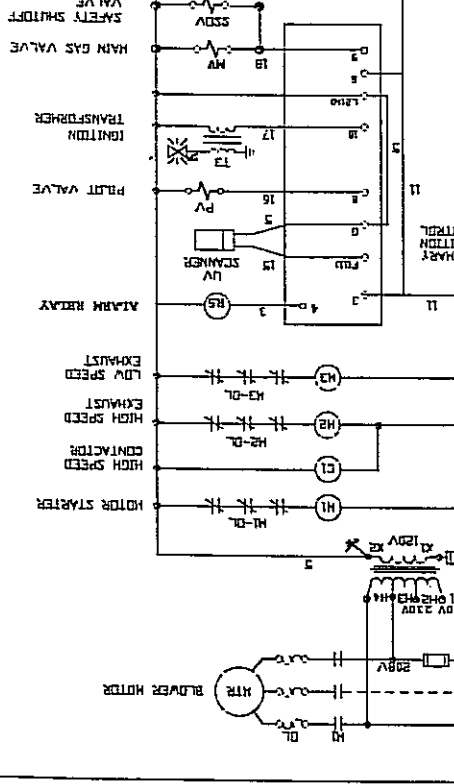
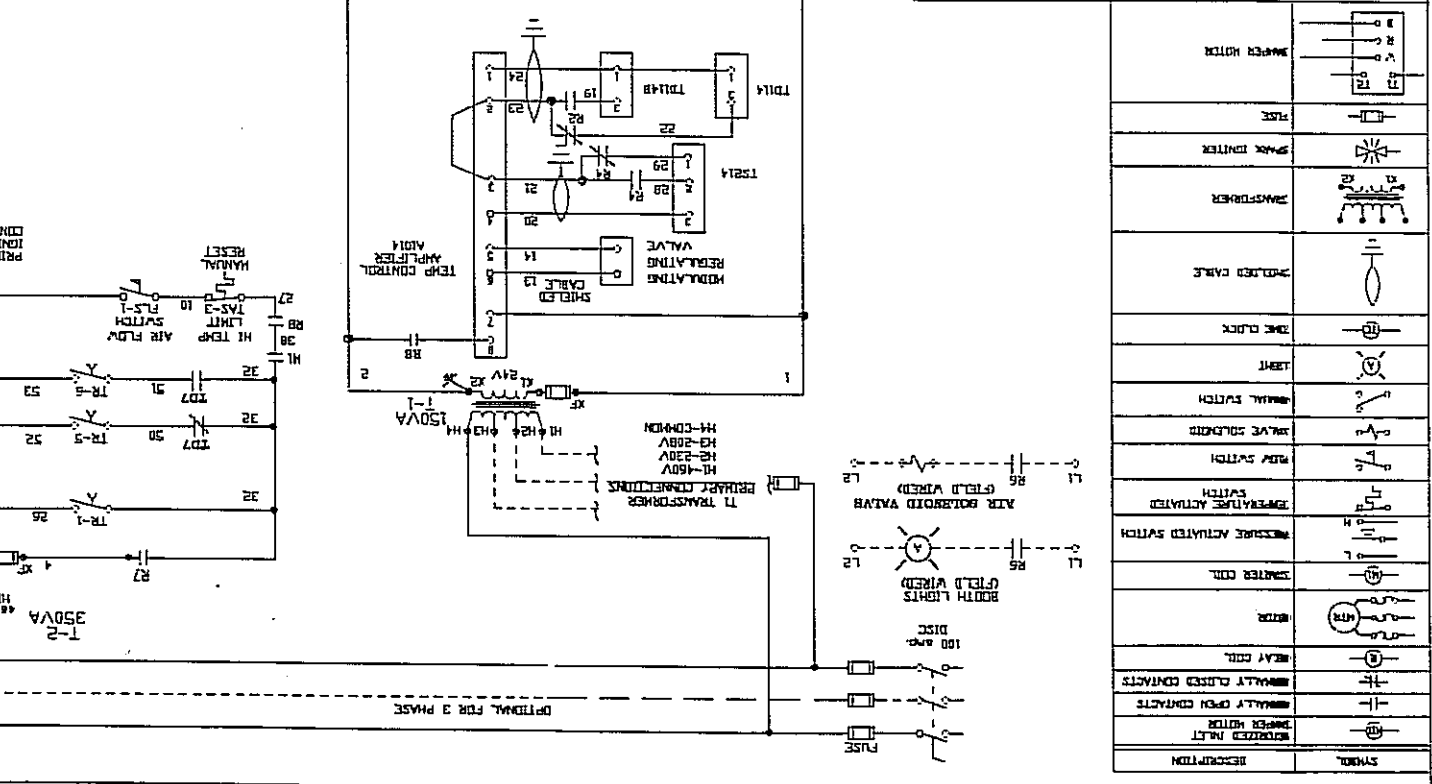
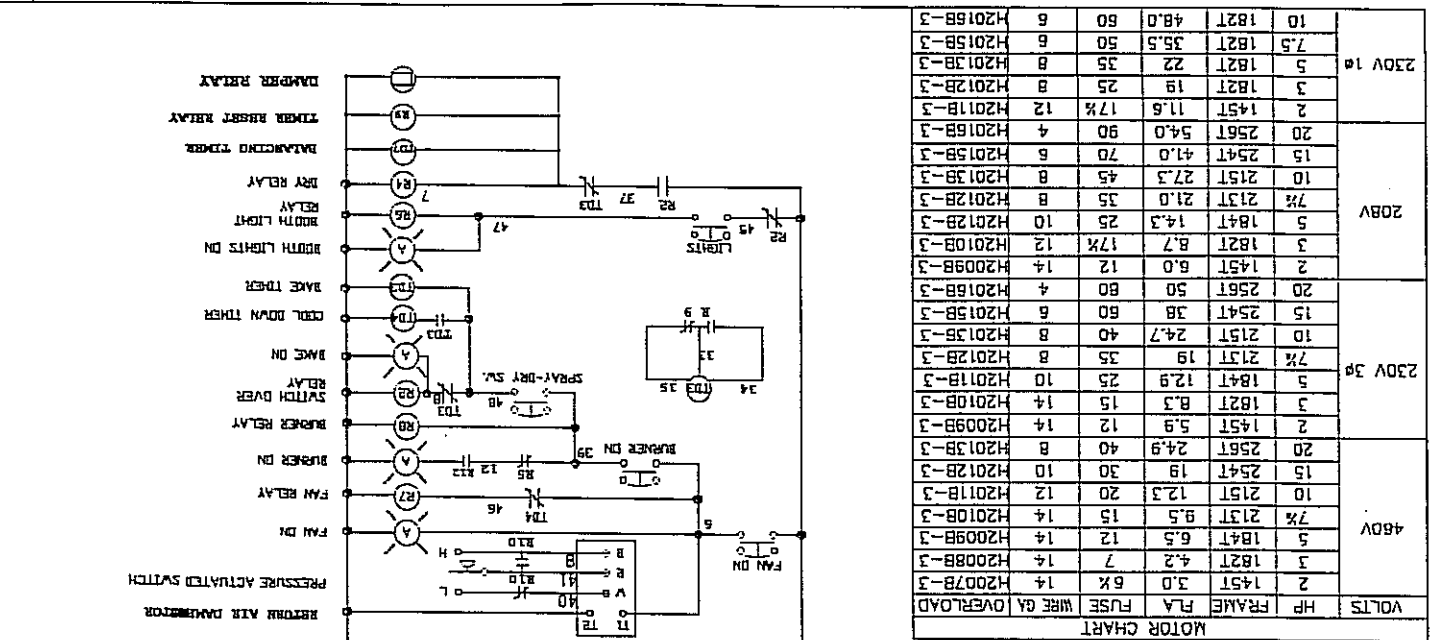


NO.	Date.	INT.	Revision
01	03/25/90	6	Update Motor Fls & O.L.
02	09/17/98	6	EMM BRON NO AB DRET

ENGINEER: B. M. MOORE
 DRAWING NO. _____
 SHEET 1 OF 1 SCALE: NONE
 FILE: FUTURECURE
 REV. _____



1. ITEMS DRAWN IN HIDDEN LINES ARE OPTIONS
 2. IF ANY ORIGINAL WIRING MUST BE REPLACED WITH TYPE * AUXILIARY SWITCH FROM DISCHARGE DAMPER MOTOR



NOTES:
 1. ITEMS DRAWN IN HIDDEN LINES ARE OPTIONS
 2. IF ANY ORIGINAL WIRING MUST BE REPLACED WITH TYPE * AUXILIARY SWITCH FROM DISCHARGE DAMPER MOTOR

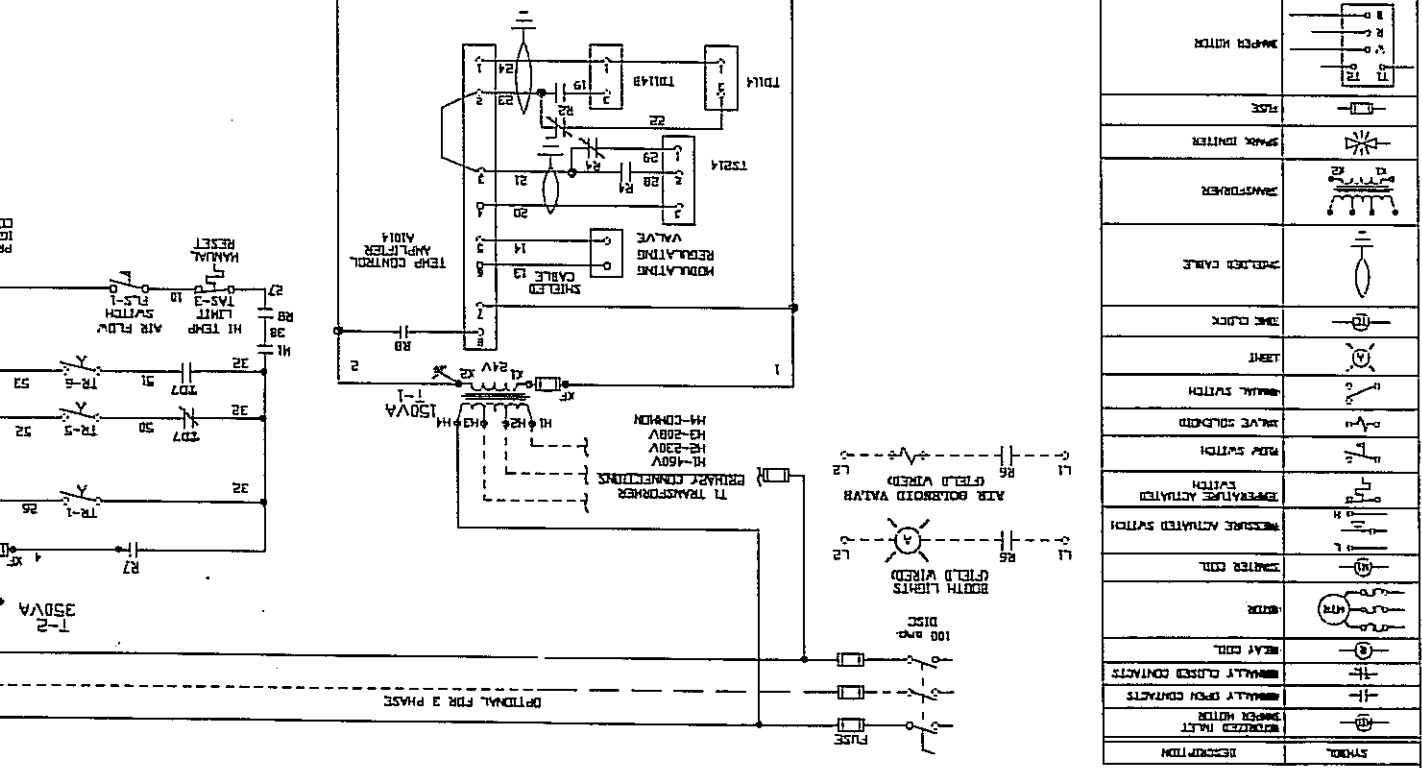
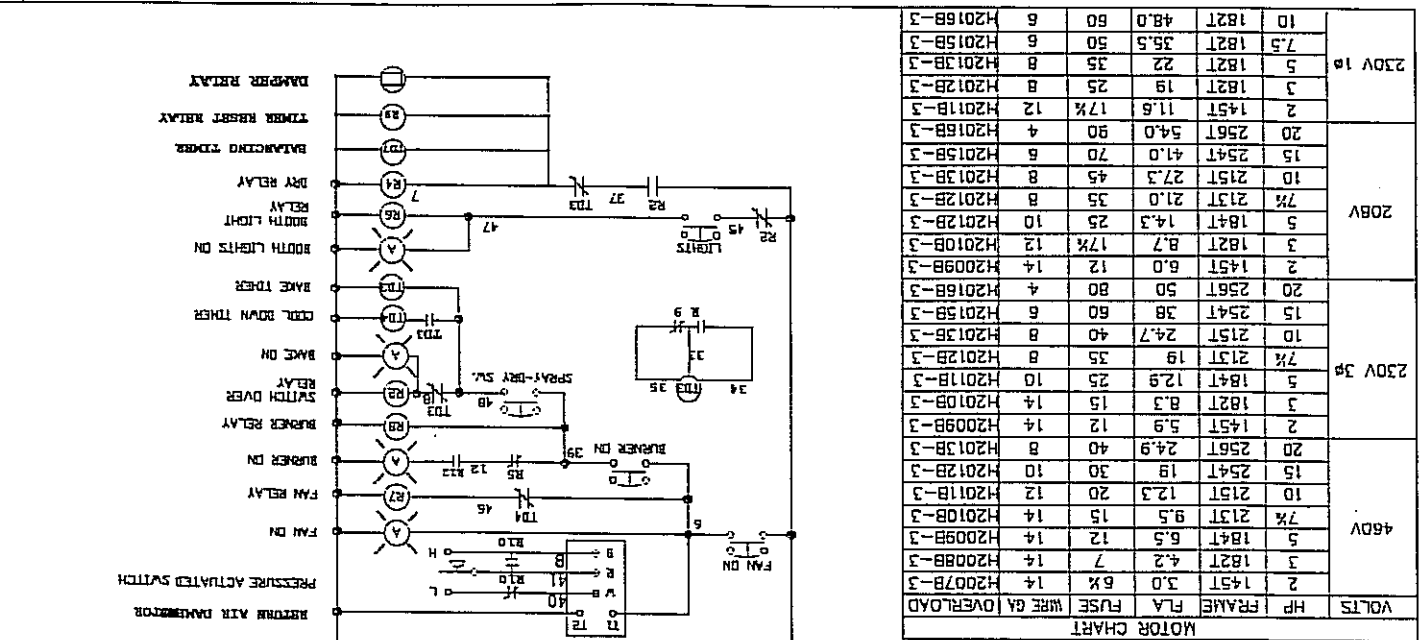
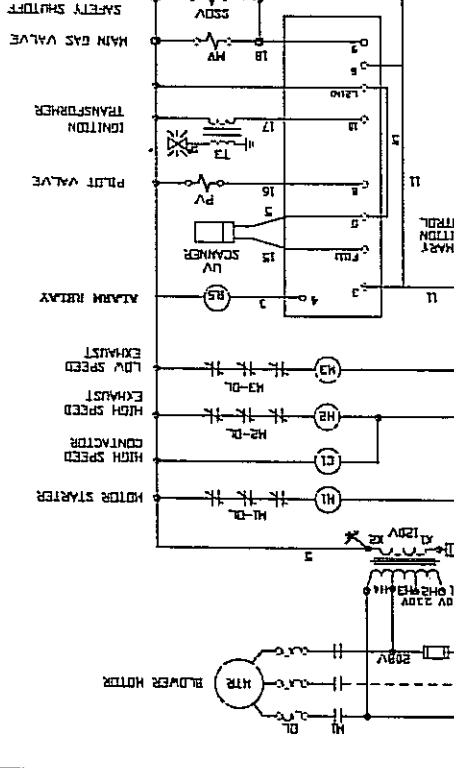
VOLTS	HP	FRAME	FLA	FUSE	WIRE GA	OVERLOAD
480V	2	145T	3.0	6K	14	H2007B-3
480V	3	182T	4.2	7	14	H2008B-3
480V	5	184T	6.5	12	14	H2009B-3
480V	7 1/2	213T	9.5	15	14	H2010B-3
480V	10	215T	12.3	20	12	H2011B-3
480V	15	254T	19	30	10	H2012B-3
480V	20	256T	24.9	40	8	H2013B-3
480V	2	145T	5.9	12	14	H2009B-3
480V	3	182T	8.5	15	14	H2010B-3
480V	5	184T	12.9	25	10	H2011B-3
480V	7 1/2	213T	19	35	8	H2012B-3
480V	10	215T	24.7	40	8	H2013B-3
480V	15	254T	38	60	6	H2015B-3
480V	20	256T	50	80	4	H2016B-3
480V	2	145T	6.0	12	14	H2009B-3
480V	3	182T	8.7	17K	12	H2010B-3
480V	5	184T	14.3	25	10	H2012B-3
480V	7 1/2	213T	21.0	35	8	H2012B-3
480V	10	215T	27.3	45	8	H2013B-3
480V	15	254T	41.0	70	6	H2015B-3
480V	20	256T	54.0	90	4	H2016B-3
208V	2	145T	11.6	17K	12	H2011B-3
208V	3	182T	19	25	8	H2012B-3
208V	5	182T	22	35	8	H2013B-3
208V	7.5	182T	35.5	50	6	H2015B-3
208V	10	182T	48.0	60	6	H2016B-3

SYMBOL	DESCRIPTION
(Symbol)	MODIFIED MOTOR
(Symbol)	MODIFIED OPEN CONTACTS
(Symbol)	MODIFIED CLOSED CONTACTS
(Symbol)	HEAT COIL
(Symbol)	MOTOR
(Symbol)	STARTER COIL
(Symbol)	PRESSURE ACTUATED SWITCH
(Symbol)	TEMPERATURE ACTUATED SWITCH
(Symbol)	NOV SWITCH
(Symbol)	VALVE SOLENOID
(Symbol)	RECALL SWITCH
(Symbol)	LIGHT
(Symbol)	ONE CLICK
(Symbol)	SHIELDED CABLE
(Symbol)	DAMPERS
(Symbol)	SMOKY DAMPERS
(Symbol)	FUSE
(Symbol)	DAMPERS MOTOR

OPTIONAL FOR 3 PHASE
 100 AMP
 150VA
 480V
 48-50V
 H1-460V
 H2-230V
 H3-230V
 H4-COMMON

NO.	Date	Revision
01	03/25/98	Update Motor FLA's & OL
02	09/17/98	EMM shown as AB DRET

1. ITEMS DRAWN IN HIDDEN LINES ARE OPTIONS
 2. IF ANY ORIGINAL WIRING MUST BE REPRODUCED WITH TYPE
 * AUXILIARY SWITCH FROM DISCHARGE DAMPER MOTOR



MOTOR CHART

VOLTS	HP	FRAME	FLA	FUSE	WRE	GA	OVERLOAD
480V	2	145T	3.0	6A	14	H2007B-3	
480V	3	182T	4.2	7	14	H2008B-3	
480V	5	184T	6.5	12	14	H2009B-3	
480V	7 1/2	213T	9.5	15	14	H2010B-3	
480V	10	215T	12.3	20	12	H2011B-3	
480V	15	254T	19	30	10	H2012B-3	
480V	20	256T	24.9	40	8	H2013B-3	
480V	2	145T	5.9	12	14	H2009B-3	
480V	3	182T	8.3	15	14	H2010B-3	
480V	5	184T	12.9	25	10	H2011B-3	
480V	7 1/2	213T	19	35	8	H2012B-3	
480V	10	215T	24.7	40	8	H2013B-3	
480V	15	254T	38	60	6	H2015B-3	
480V	20	256T	50	80	4	H2016B-3	
480V	2	145T	6.0	12	14	H2009B-3	
480V	3	182T	8.7	17	12	H2010B-3	
480V	5	184T	14.3	25	10	H2012B-3	
480V	7 1/2	213T	21.0	35	8	H2012B-3	
480V	10	215T	27.3	45	8	H2013B-3	
480V	15	254T	41.0	70	6	H2015B-3	
480V	20	256T	54.0	90	4	H2016B-3	
208V	2	145T	11.6	17	12	H2011B-3	
208V	3	182T	19	25	8	H2012B-3	
208V	5	182T	22	35	8	H2013B-3	
208V	7 1/2	182T	35.5	50	6	H2015B-3	
208V	10	182T	48.0	60	6	H2016B-3	

BANANZA AIR MANAGEMENT SYSTEMS, INC.
 SPRAY BOOTH APPLICATION #2 FOR FUTURE CURE
 ENGINEER: B. M. MOORE
 DATED: 09/17/98
 SHEET 1 OF 1 SCALE: 1/8" = 1'-0"
 DRAWING NO. 5589
 FILE: FUTURECURE
 REV.